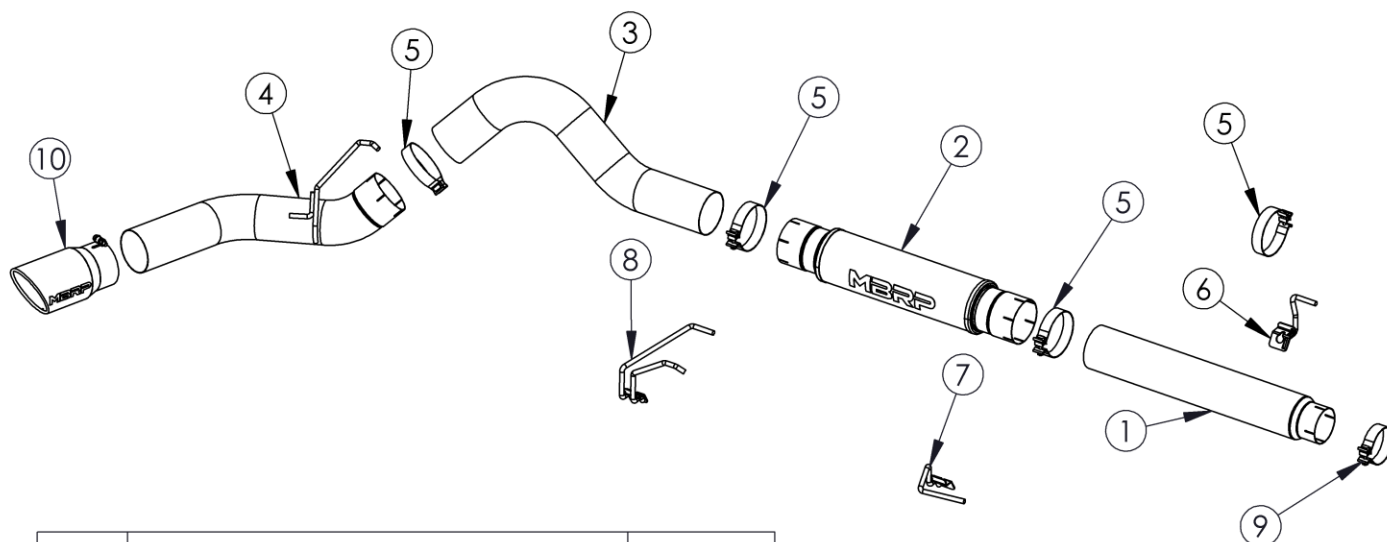


S6118

2004.5-2007 DODGE 2500/3500 "600/610"
5.9L CUMMINS, CAT BACK, 5", SINGLE SIDE

MBRP®



ITEM	DESCRIPTION	QTY.
1	4" TO 5" EXTENSION PIPE	1
2	MUFFLER	1
3	OVER-AXLE PIPE	1
4	TAIL PIPE	1
5	5" BAND CLAMP	4
6	HANG TIGHT™ HANGER	1
7	HANG TIGHT™ HANGER	1
8	DUAL HANG TIGHT™ HANGER	1
9	4" BAND CLAMP	1
10	EXHAUST TIP	1

Refer to this LOT NUMBER when contacting customer service: _____

PLEASE READ BEFORE STARTING INSTALLATION

While MBRP has made every effort to ensure that all components of this system are of superior quality and properly packaged, it is the installer's responsibility to ensure the following before removal of the factory exhaust:

- that ALL components shown above are present.
- that ALL mating components fit together.
- that there are no damaged components.
- that the system you have purchased is appropriate for your vehicle year, model and configuration.
- that the system will not interfere with any modifications previously installed or planned.
- that you have read and understand these instructions.

If you have any questions or are uncertain about any aspect of the installation of this system to your vehicle please contact your dealer before commencing installation.

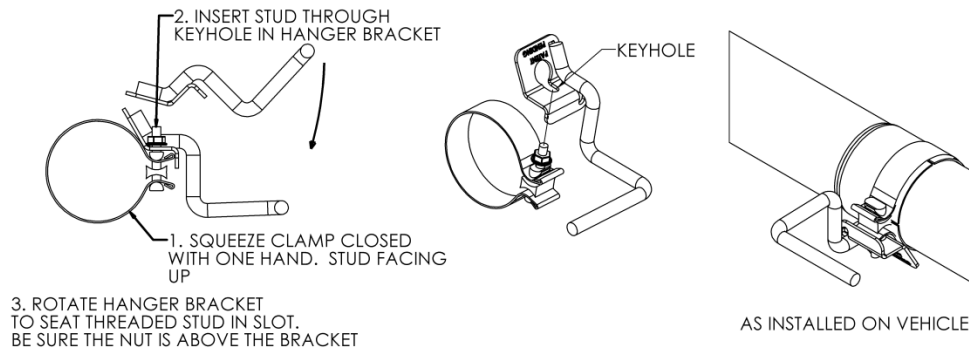
MBRP

Removal of stock system:

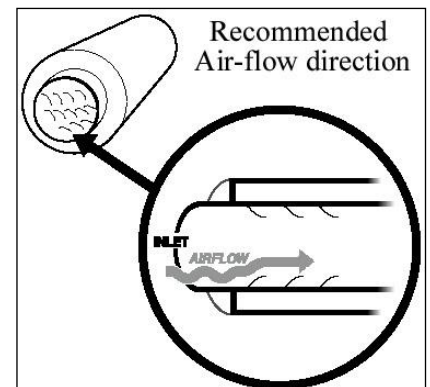
1. Apply a penetrating lubricant liberally to all exhaust fasteners, hangers, and rubber isolators.
2. Remove the exhaust system from the rubber insulator and remove all the clamps from the Catalytic Converter back.
3. Separate the slip joint behind the muffler and remove the Tail Pipe. Next, separate the slip joint located behind the Catalytic Converter and remove the Muffler and Extension Pipe.
4. Remove the spare tire. You may not be able to reinstall your spare tire after the installation of this exhaust system.

Installation of MBRP Performance Exhaust:

1. Install the **4" to 5" Extension Pipe** over the OEM pipe behind the Catalytic Converter using the **4" Band Clamp** provided. The **4" to 5" Extension Pipe** provides the required length to fit a **Quad Cab Long Bed** or **Mega Cab** truck. The **4" to 5" Extension Pipe** will have to be cut to fit all other vehicles.
Installation Tip: Temporarily install the **Muffler, Over-Axle Pipe** and **Tail Pipe** using the factory rubber insulators and the **Hang Tight™ Hanger clamps**. Measure from the **Muffler** to the back of the Catalytic Converter to determine the length required. Ensure that you leave 6" (3" each end) for the joints to overlap. Cut the **4" to 5" Extension Pipe** to the required length.
2. Install the **Hang Tight™ Hangers** onto **5" Band Clamps** using the procedure shown below. (Hang Tight™ Hangers not exactly as shown).



3. Install the front single **Hang Tight™ Hanger Clamp Assembly** (shortest hanger) onto the **4" to 5" Extension Pipe** and into the factory rubber insulator located on the frame.
4. Install the **High Flow Muffler** onto the **4" to 5" Extension Pipe** using the second single **Hang Tight™ Hanger Clamp Assembly**. Refer to the image at right for optimal flow orientation. Install the Hanger into the factory rubber insulator.



5. Install the **Dual Hang Tight™ Hanger Clamp Assembly** onto the outlet of the **High Flow Muffler**. Install the hangers into the two OEM rubber hangers located above the outlet of the **High Flow Muffler**.

MBRP

6. Remove the factory rubber insulator for the factory tail pipe and install it onto the **Tail Pipe** hanger. Install the **Tail Pipe** and **5" Band Clamp** onto the **Over-Axle Pipe**. From the rear of the truck, slide the assembly over the axle and attach to the outlet of the **High Flow Muffler**. Finish hanging the **Tail Pipe**.
7. Adjust the **Tail Pipe** and install and adjust the **Exhaust Tip** to suit. Tighten the lock bolt located on the **Exhaust Tip**.
8. Tighten all hardware and clamps, starting at the front and working rearward to secure the system. Check along the full length of the exhaust system to ensure there is adequate clearance for fuel lines, vent lines, brake lines, frame, bodywork, suspension, and any wiring, etc. If there is any interference detected, relocate, or adjust to provide adequate clearance. Ensure all clamp connections are secure and components are unable to rotate or slide. Band clamps require approximately 45 lb-ft (60 N-m) of torque. Verify clearances, system security and band clamp torque after 30-60 miles (50-100 km) of driving.

9.

Congratulations! You are ready to begin experiencing the improved performance and driving excitement of your **MBRP** performance exhaust system. We know you will enjoy your purchase.